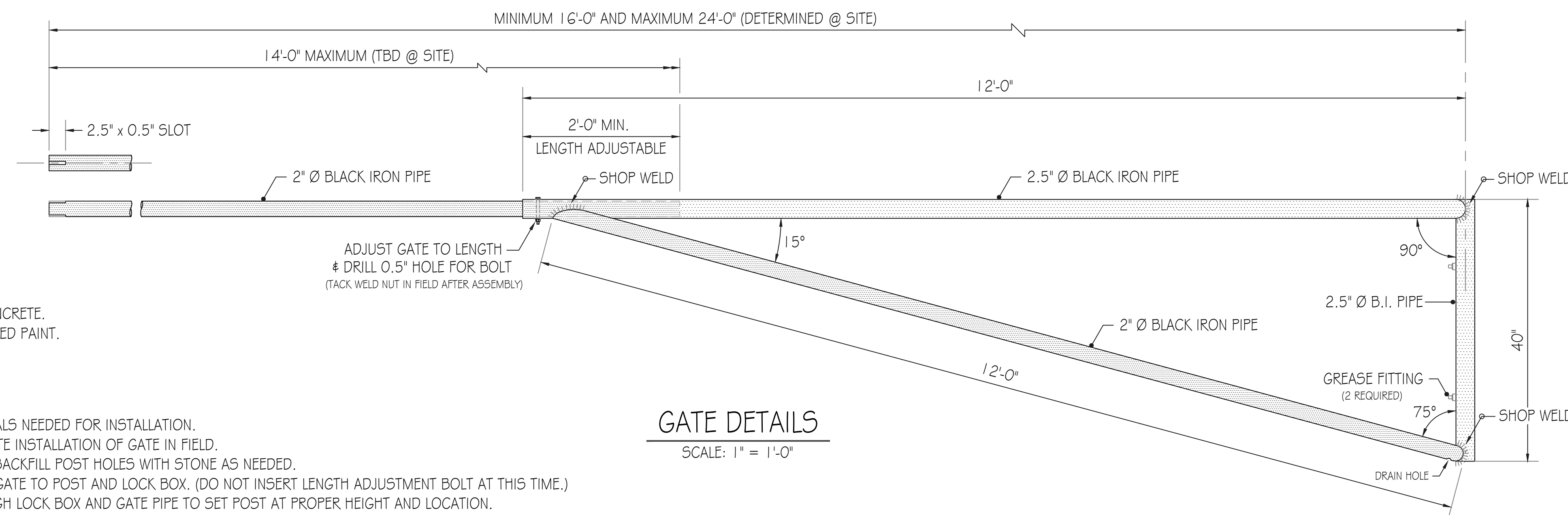
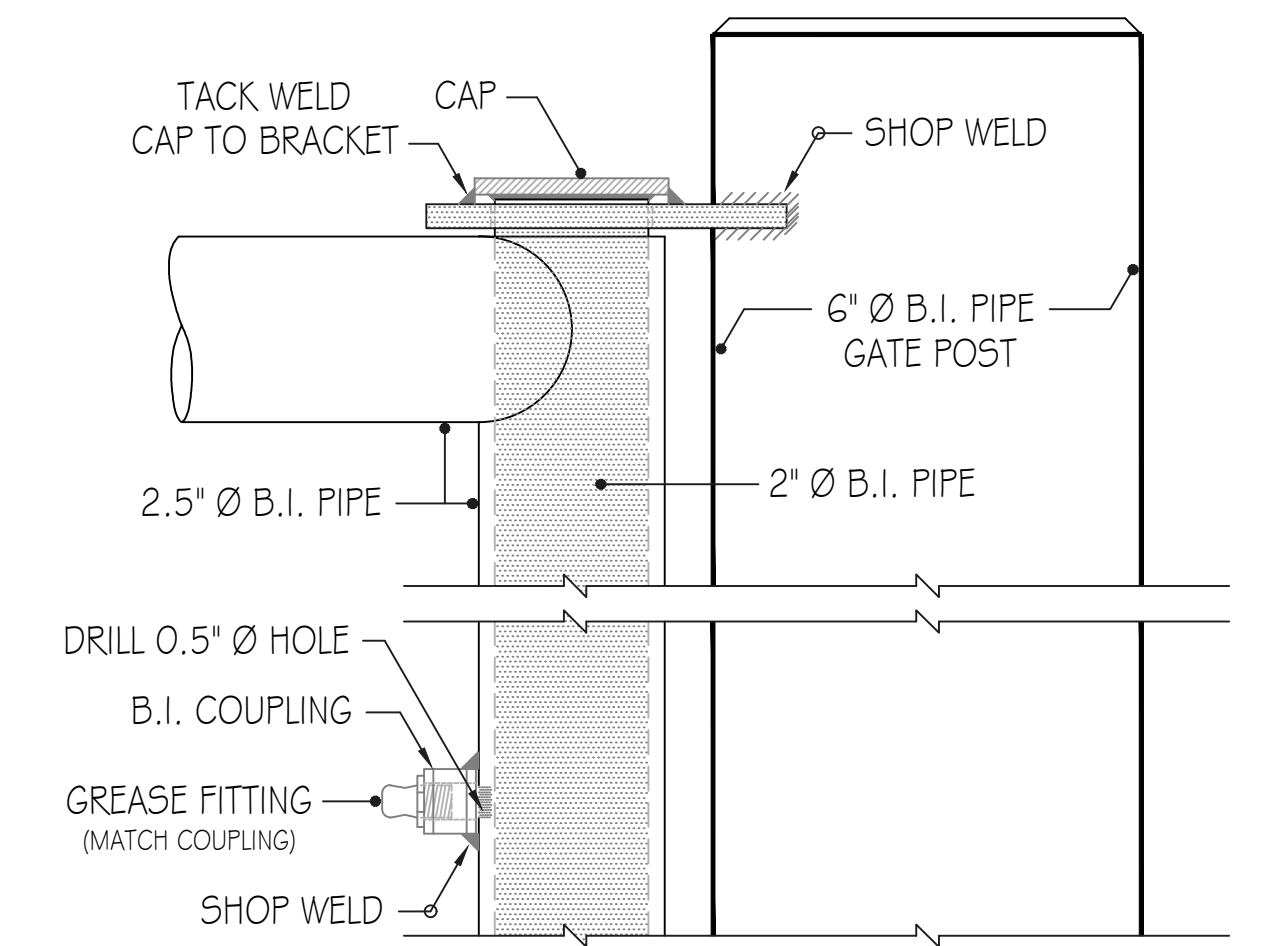


GATE ASSEMBLY
SCALE: 1" = 1'-0"
(1 REQUIRED)



GATE DETAILS
SCALE: 1" = 1'-0"



INSERT DETAIL
SCALE: 4" = 1'-0"

NOTES:
ALL PIPE TO BE BLACK IRON (B.I.) PIPE SCH 40.
EACH POST SHOULD USE APPROXIMATELY 0.4 CY OF CONCRETE.
ALL STEEL TO BE PAINTED WITH A BROWN COLOR OIL BASED PAINT.

INSTALLATION SEQUENCE:

1. DETERMINE LENGTH OF GATE AND GATHER ALL MATERIALS NEEDED FOR INSTALLATION.
2. FABRICATE AS MUCH WORK AS POSSIBLE TO FACILITATE INSTALLATION OF GATE IN FIELD.
3. AUGER HOLES @ PROPER LOCATION AND DEPTH AND BACKFILL POST HOLES WITH STONE AS NEEDED.
4. SLIDE POSTS IN HOLE W/ANCHOR PIN AND ASSEMBLE GATE TO POST AND LOCK BOX. (DO NOT INSERT LENGTH ADJUSTMENT BOLT AT THIS TIME.)
5. BRACE GATE AS NEEDED. DROP VERTICAL BAR THROUGH LOCK BOX AND GATE PIPE TO SET POST AT PROPER HEIGHT AND LOCATION.
6. VERIFY GATE LOCATION AND ALIGNMENT TO YOUR SATISFACTION BEFORE PLACING CONCRETE IN HOLES.
7. FINISH CONCRETE AND SLOPE AWAY FROM POSTS FOR POSITIVE DRAINAGE. WAIT 24 HOURS BEFORE INSTALLING ADJUSTMENT BOLT AND OPERATING GATE.

PENNSYLVANIA GAME COMMISSION	
IRON PIPE GATE DRAWING WITH DETAILS	
PROJECT:	DRAWING: GATE DRAWING
LOCATION:	SCALE: AS NOTED
JBM 02/03/20 REVISED: _____	SHEET NO. 1 OF 2